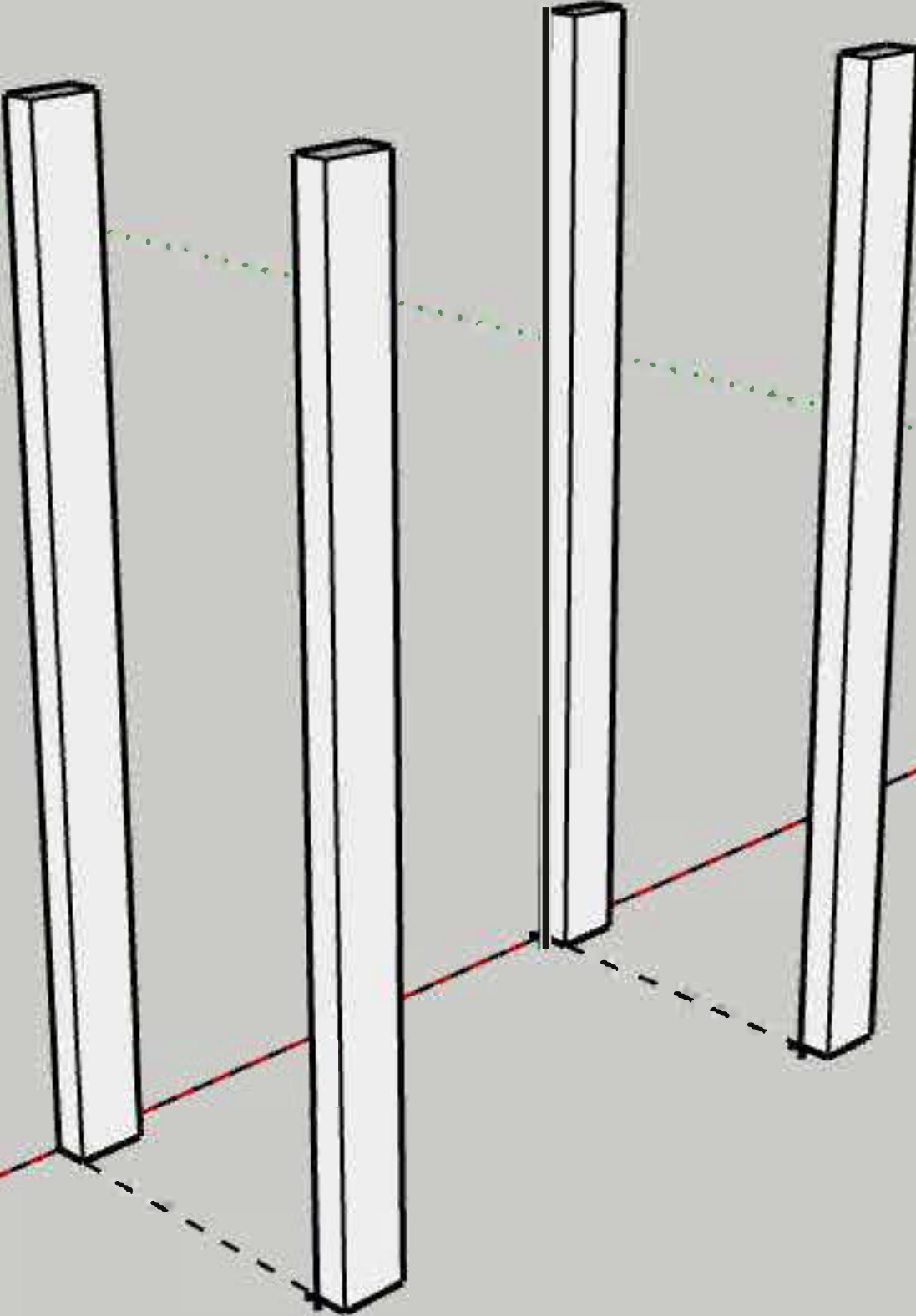
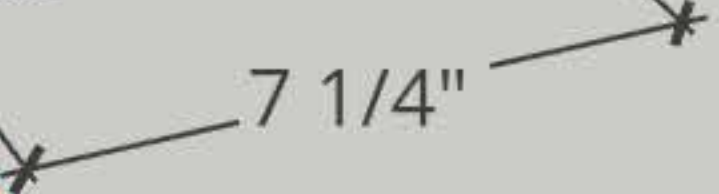
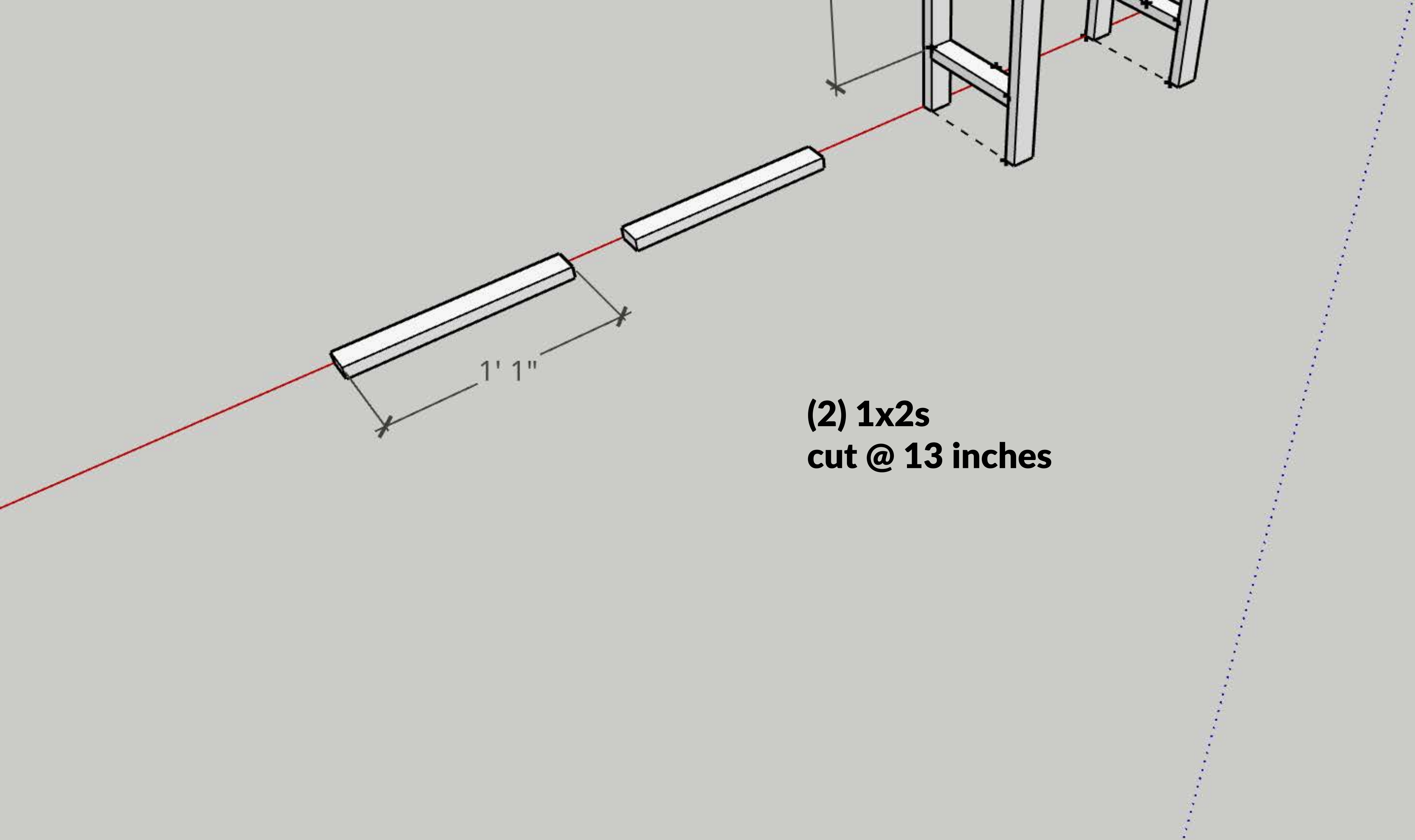


**(4) 1x2s  
cut @22  
inches**



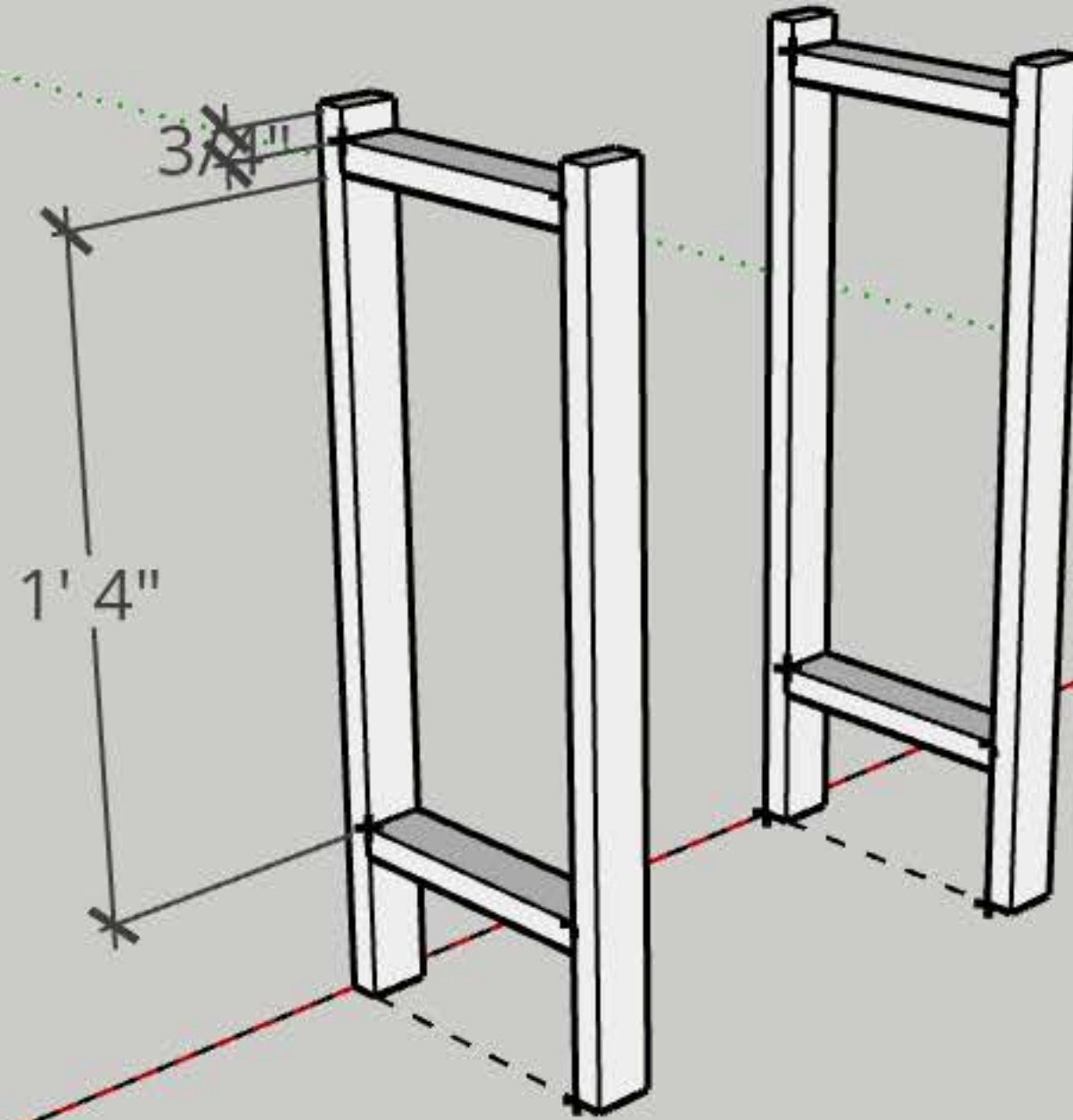
**(4) 1x2s cut @ 7 1/4 inches**



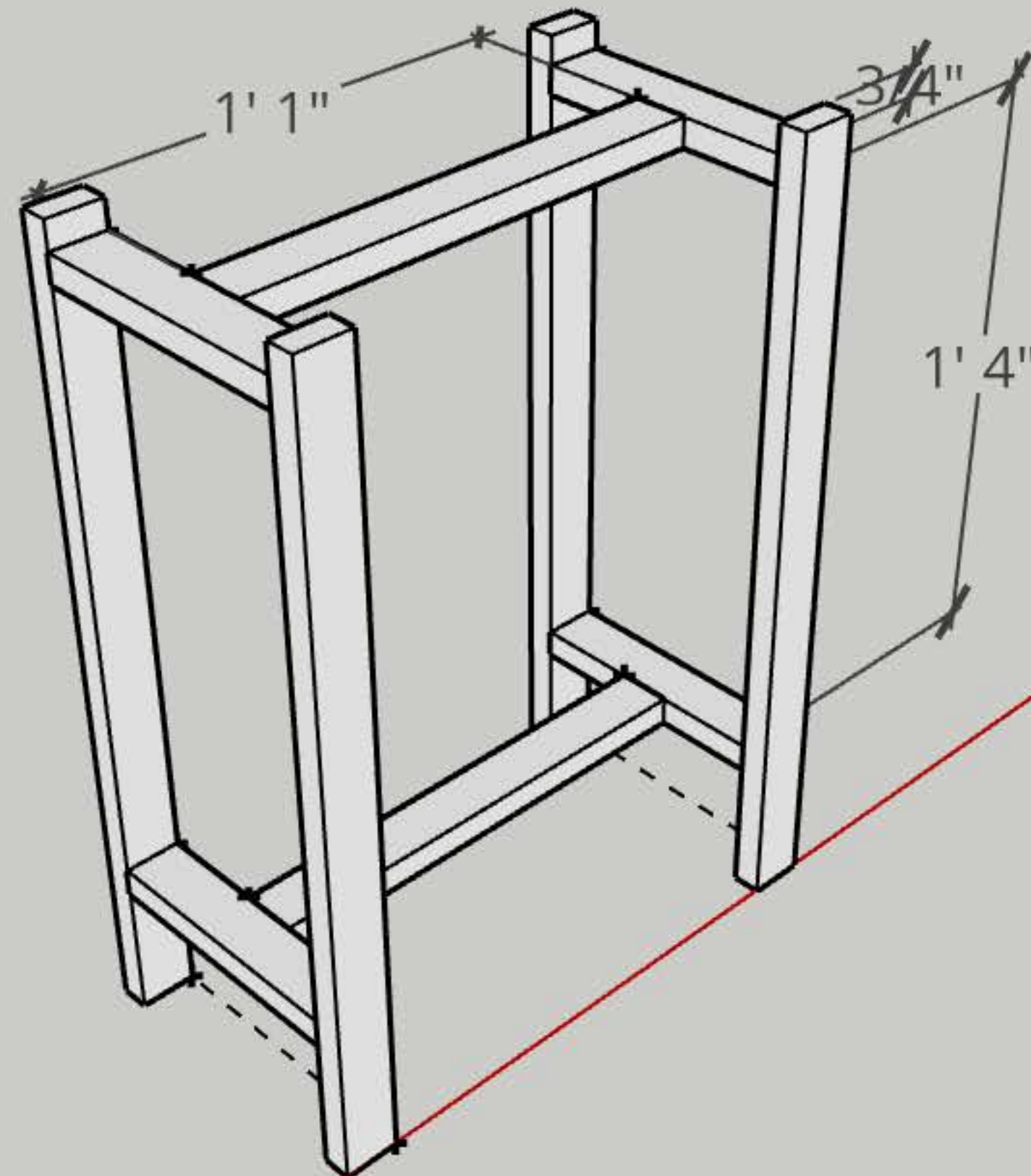


**(2) 1x2s  
cut @ 13 inches**

**attach 7 1/4 inch 1x2s  
to 22 inch 1x2s**  
- 3/4 inches from the  
top and  
- 4 inches from the  
bottom  
(using pocket holes)



**attach 13 inch pieces  
to connect leg  
assemblies  
(use pocket holes)**



**cut (2) 24 inch 1x8s**

**attach to top and  
bottom supports**

**(use wood screws underneath)**

